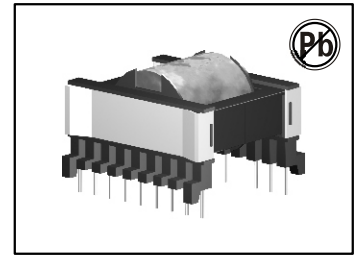


POWER FERRITE TRANSFORMERS

120-180W ETD44 - 4 OUTPUT FLYBACK TRANSFORMERS

FWPT ETD44070 SERIES



FEATURES:

- Primary / Secondary Insulation $\geq 4000V$
- Primary Auxiliary Insulation $\geq 1500V$
- Creepage distances Primary / secondary $\geq 8mm$

OPTIONS:

- Bulk packaging is standard
- Custom design available

COMMON APPLICATIONS:

- AC-DC converters
- DC-DC converters
- Switch Power supplies
- SMPS: Flyback, Forward and Push-pull
- SMPS: Half Bridge and Full Bridge

ELECTRICAL CHARACTERISTICS

Control IC Manufacturer	Control IC P/N	Input voltage	Power	Frequency
Fairchild	KA2S0965	185-265Vrms	160 w	100 kHz
Infineon	TDA16837	185-265Vrms	160 w	100 kHz
Philips	TEA1566	185-265Vrms	120 w	50 kHz
Power Integrations	TOP248Y	185-265Vrms	180 w	66 or 132 kHz
Power Integrations	TOP249Y	85-265Vrms	120 w	66 kHz

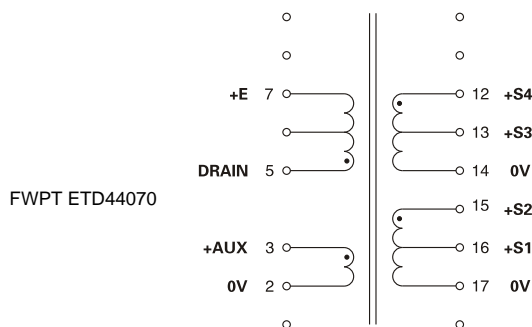
SIZE ETD44 - 4 OUTPUTS : 5 + 12 / 5 + 12v - FLYBACK TRANSFORMER

Part Number	Output Power max	Windings					Inductance (+/-10%)
			Pins	Turns	Voltage	Current max	
FWPT ETD44070	180w	Pri	5-7	38	65-125(VOR)	8 Apeak	300 μ H
		Aux	3-2	4	7-14 Vdc	0.5 Adc	
		S1	16-17	2	3.3-6.5	6 Adc	
		S2	15-17	5	8.5-17 Vdc	5 Adc	
		S3	13-14	2	3.3-6.5	6 Adc	
		S4	12-14	5	8.5-17 Vdc	5 Adc	

Note : S1/S3 or S2/S4 can be connected in series or in parallel

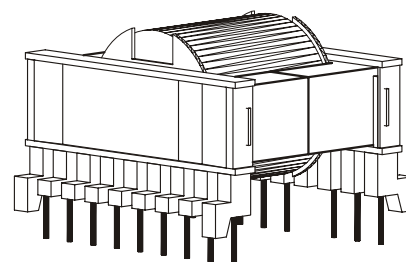
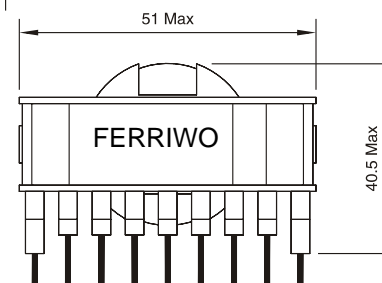
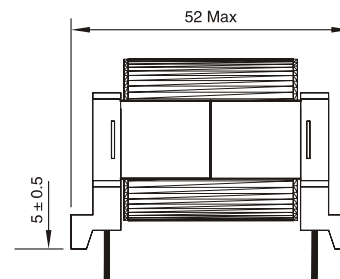
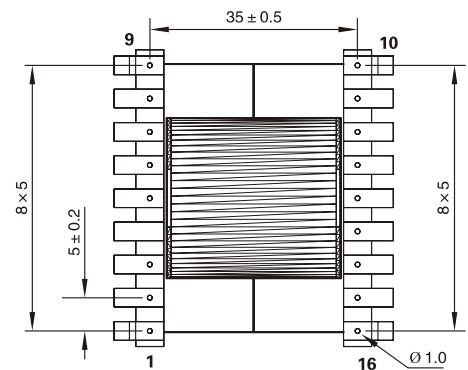
TECHNICAL INFORMATION

- Ambient temperature $< 50^{\circ}C$
- Construction conforms to CEI 950, CEI 335, CEI 61558 for reinforced insulation
- Exclusively uses UL94-VO listed materials



Note: PIN 4 Removed, PCB Drilling Diameter = 1.5mm

PHYSICAL CHARACTERISTICS



Note: All dimensions in mm